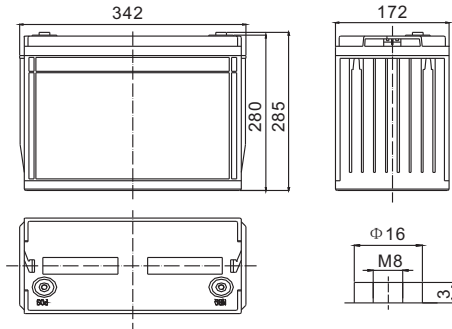


Standard Series LFP12134 12V134Ah

FirstPower®

Dimension(mm)



T11
Terminal



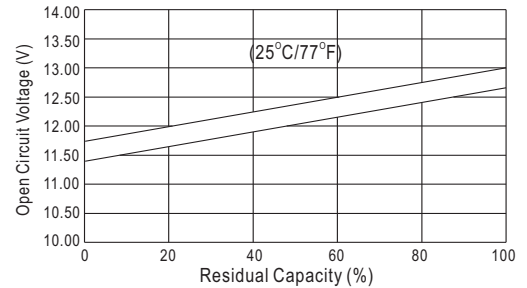
Specification

Nominal Voltage		12 V
Capacity(10HR, 25°C)		134 Ah
Dimension	Length	342mm (13.5inch)
	Width	172mm (6.8inch)
	Height	280mm (11.0inch)
	Total Height	285mm (11.2inch)
Approx. Weight		42.5kg (93.5lbs)

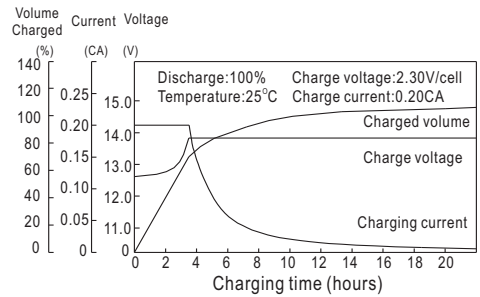
Characteristics

Capacity 20°C (68□) To 1.70V/Cell	20 hour rate	140Ah
	10 hour rate	134Ah
	5 hour rate	121Ah
	1 hour rate	83.5Ah
	15 min rate	55.3Ah
Internal resistance(Fully charged, 25°C)		Approx.3.8m Ω
Capacity affected by temperature (10HR)	40°C	102%
	25°C	100%
	0°C	85%
	-15°C	65%
Self-discharge (25°C)	3 month	Remaining Capacity: 91%
	6 month	Remaining Capacity: 82%
	12 month	Remaining Capacity: 65%
Nominal operating temperature		25°C ±3°C(77°F ±5°F)
Operating temperature range		-15°C~50°C(5°F~122°F)
Float charging voltage(25°C)		13.50 to 13.80V
Cyclic charging voltage(25°C)		14.50 to 14.90V
Maximum charging current		40A
Terminal material		Copper
Maximum discharge current		1050A(5 Sec.)

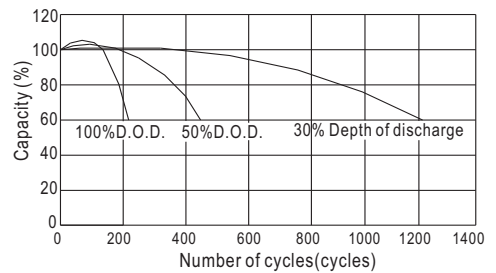
The Relationship for Open Circuit Voltage and Residual Capacity (25°C)



Charging Characteristics(25°C)



Cycle Life(25°C)



Constant Current Discharge Characteristics (A, 25°C)

F.V/TIME	5min	10min	15min	30min	60min	3h	5h	10h	20h
9.60V	430	290	230	144	87.0	34.0	24.6	13.6	7.11
10.2V	409	276	221	138	83.5	33.5	24.2	13.5	7.04
10.8V	384	259	210	131	79.3	32.8	23.7	13.4	7.00

Constant Power Discharge Characteristics (Watt, 25°C)

5min	10min	15min	30min	60min	3h	5h	10h	20h
4515	3132	2525	1616	992	400	290	162	85.0
4289	2975	2424	1551	952	394	286	161	84.5
4032	2797	2303	1474	905	386	280	161	84.0