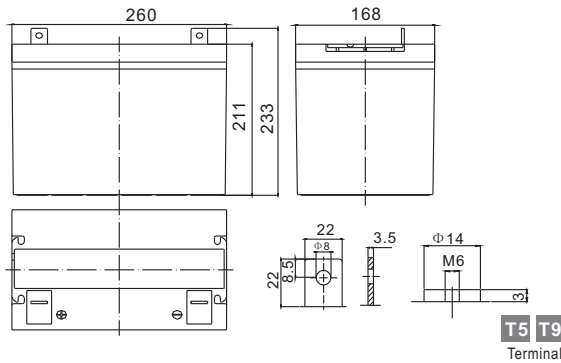


Standard Series LFP1285 12V85Ah

FirstPower®

Dimension(mm)



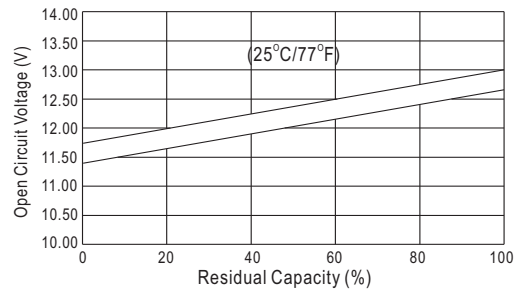
Specification

Nominal Voltage		12 V
Capacity(10HR, 25°C)		85Ah
Dimension	Length	260mm (10.2inch)
	Width	168mm (6.6inch)
	Height	211mm (8.3inch)
	Total Height(T5/T9)	233mm (9.2inch)/214mm (8.4inch)
Approx. Weight		25.0kg (55.0lbs)

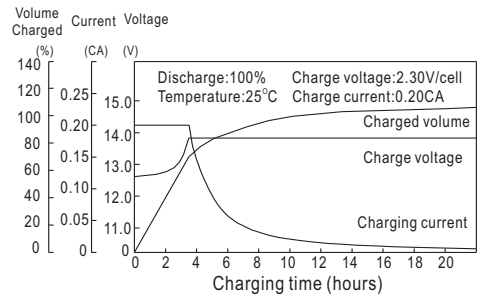
Characteristics

Capacity 20°C (68□) To 1.70V/Cell	20 hour rate	89Ah
	10 hour rate	85Ah
	5 hour rate	76.5Ah
	1 hour rate	52.8Ah
	15 min rate	34.8Ah
Internal resistance(Fully charged, 25°C)		Approx.5.3mΩ
Capacity affected by temperature (10HR)	40°C	102%
	25°C	100%
	0°C	85%
	-15°C	65%
Self-discharge (25°C)	3 month	Remaining Capacity: 91%
	6 month	Remaining Capacity: 82%
	12 month	Remaining Capacity: 65%
Nominal operating temperature		25°C ±3°C(77°F ±5°F)
Operating temperature range		-15°C~50°C(5°F~122°F)
Float charging voltage(25°C)		13.50 to 13.80V
Cyclic charging voltage(25°C)		14.50 to 14.90V
Maximum charging current		25.5A
Terminal material		Copper
Maximum discharge current		800A(5 Sec.)

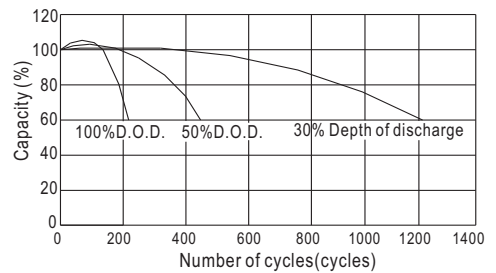
The Relationship for Open Circuit Voltage and Residual Capacity (25°C)



Charging Characteristics(25°C)



Cycle Life(25°C)



Constant Current Discharge Characteristics (A, 25°C)

F.V/TIME	5min	10min	15min	30min	60min	3h	5h	10h	20h
9.60V	270	185	145	90.0	55.0	21.6	15.5	8.63	4.49
10.2V	257	176	139	86.4	52.8	21.3	15.3	8.55	4.45
10.8V	241	165	132	82.1	50.2	20.9	15.0	8.50	4.42

Constant Power Discharge Characteristics (Watt, 25°C)

F.V/TIME	5min	10min	15min	30min	60min	3h	5h	10h	20h
9.60V	2835	1998	1592	1010	627	254	184	103	53.8
10.2V	2693	1898	1528	969	602	250	181	102	53.4
10.8V	2532	1784	1452	921	572	245	177	102	53.0